

Premelt Fibre Drum

(180 litres - 240 litres)



The specifically designed fibre drum for packing hotmelts, compounds and various other, non-dangerous products.

Greif's Premelt Fibre Drums offer significant benefits to shippers and/or users of hot or standard pumpable, solidified products. This type of drum is specifically designed for packing hotmelts, compounds, printing inks and various food products.

- The smooth cylindrical body with flush interior surface has especially been designed for emptying with a pressure plate.
- The drum offers a removable bottom cover that allows the user to recover virtually 100% of the product.
- Easy to handle and easy to stack.
- Straight sidewall construction allows use of standard press plates without modifications, providing a tight seal while preventing flow-by.
- Depending on weight, stacks up to 4 high filled.
- Optimal protection is vital for the safe storage and transportation of every product. Years of expertise have proven the extreme durability of Greif's fibre drums, even in demanding conditions.
- Fibre drums are sturdy yet low in weight. In addition, fibre drums excel in stackability. Benefits that count during transport and storage.
- The materials used by Greif to manufacture fibre drums ensure that they are suitable for recycling.
- Hot filling up to 180° C.



Premelt Fibre Drum

(180 litres - 240 litres)

Standard Greif specifications

Capacity

180 litres up to 240 litres.

Closures

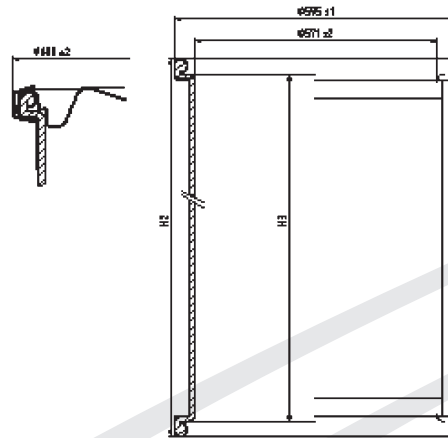
Galvanized steel band with expanded profile.

Construction

- **Body:**
Convolutely wound fibreboard. Smooth cylindrical body without beads and corrugations specially designed to empty with a pressure plate or a drum melter.
- **Lid:**
Steel.
- **Bottom:**
Steel or plywood.
- **Exterior:**
According to customer requirements.

Liners and Linings

To assure maximum utilization of the Premelt drum, Greif offers high release liners. Customized interior linings for product containment.



Content Litres	Weight average kg	Diameter inside mm	Diameter outside mm	Height outside mm
180	6,8	571,5	581,5	720
200	7,1	571,5	581,5	800
220	7,4	571,5	581,5	880
240	7,7	571,5	581,5	960



Greif Nederland B.V.
Bergseweg 6
3633 AK Vreeland
The Netherlands
+31 (0)294-23 89 11
www.greif.com